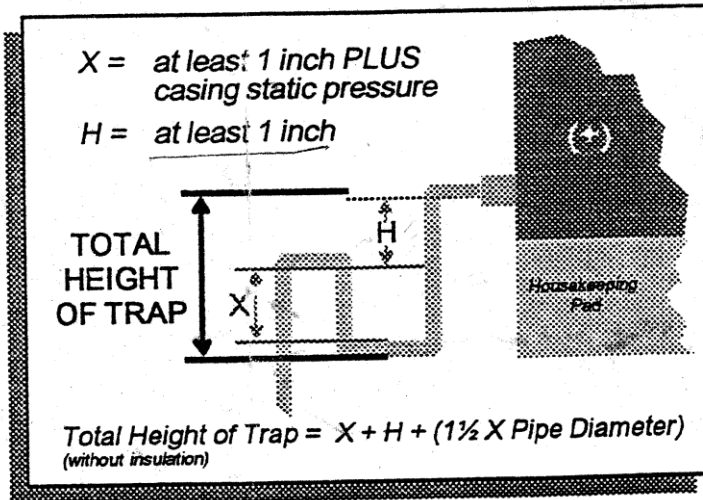


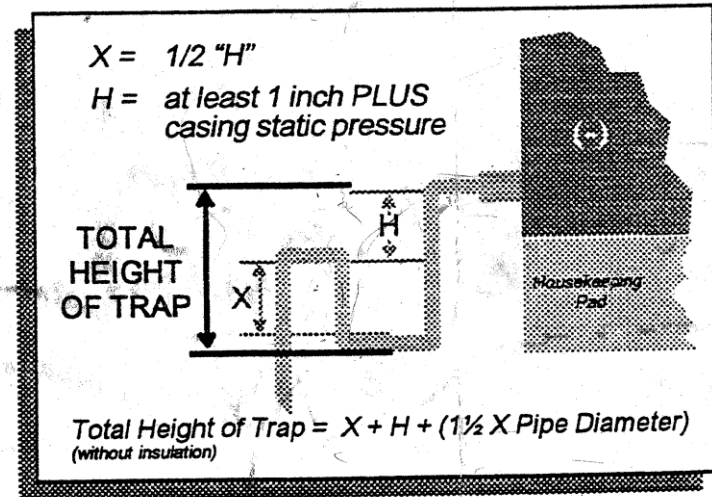
Condensate Trapping for Cooling Coils

Positive Static Pressure



EXAMPLE: When Static Pressure = 3 in. wg
 $X = 4$ in., $H = 1$ in., Pipe Dia. = $1\frac{1}{4}$ in.
TOTAL HEIGHT OF TRAP = $6\frac{7}{8}$ in.

Negative Static Pressure



EXAMPLE: When Static Pressure = 3 in. wg
 $X = 2$ in., $H = 4$ in., Pipe Dia. = $1\frac{1}{4}$ in.
TOTAL HEIGHT OF TRAP = $7\frac{7}{8}$ in.